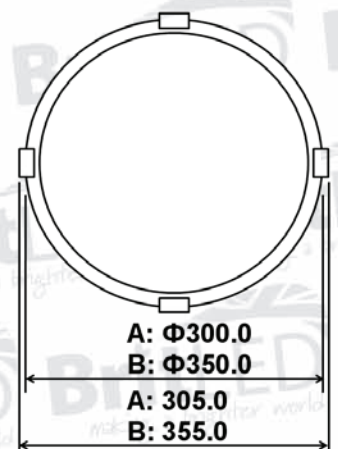
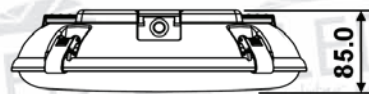
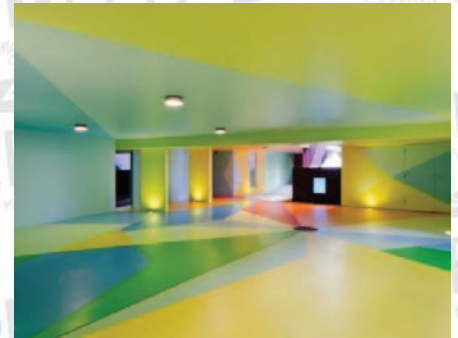


IP65 Ceiling Mounted Light



Features

- Motion Sensor
- Emergency Battery
- Contracted Visual Effect
- Optimized Structure Design
- Excellent Uniform Illumination
- Widely Application Mercury Free, No UV No Radiation
- High Lumen Efficiency
- Color Rendering Index >80
- Long Lifespan >30,000hours

MATERIALS / FINISH

- SMD LED-Source
- Constant Current Driver
- Fire Resistant Frosted PC Diffuser
- Fire Resistant Grey PC Base

MOTION SENSOR

- 5.8GHz CW electric Wave Sensor
- Time Setting: 6s to 12min
- Detection Range: 1-10meters
- Light-control: 10-2000LUX
- Installation Height: 2.5-3.5meters

EMERGENCY

- Ni-MH Battery

INSTALLATION

- Ceiling Mounted Suitable for Ceiling Light, like Bathroom, Veranda, Warehouse...

STANDARDS

- Designed and Manufactured to Comply with CE/ROHS IP65 Protection
- Class II Electrical

Model	Main Function	Input (V)	Power (W)	LED Type	CCT (K)	Lumen (LM)	Dimmable	Power Factor	Beam Angle
BLR1336A-12W-WW	ON/OFF SENSOR	AC100-240V 50/60Hz	12W	132x0.1w SMD3528	3000K	850	NON	>0.85	120°
BLR1336A-12W-NW					4200K	900			
BLR1336A-12W-CW					6000K	960			
BLR7701AX-30W-WW	MOTION SENSOR	AC100-240V 50/60Hz	15W	238x0.06w SMD3528	3000K	1000	NON	>0.85	120°
BLR7701AX-30W-NW					4200K	1080			
BLR7701AX-30W-PW					6000K	1180			
BLR7701AX-50W-WW	ON/OFF SENSOR	AC100-240V 50/60Hz	20W	308x0.06w SMD3528	3000K	1400	NON	>0.85	120°
BLR7701AX-50W-NW					4200K	1500			
BLR7701AX-50W-PW					6000K	1650			

All parameters are measured at 25°C ambient temperature, 35% humidity experimental environment
Tolerances of power and luminous flux are ±10%, tolerance of color rendering index is ±5.