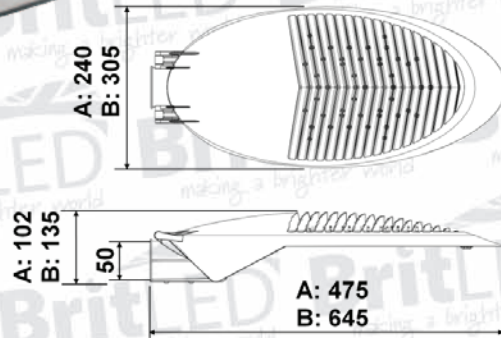
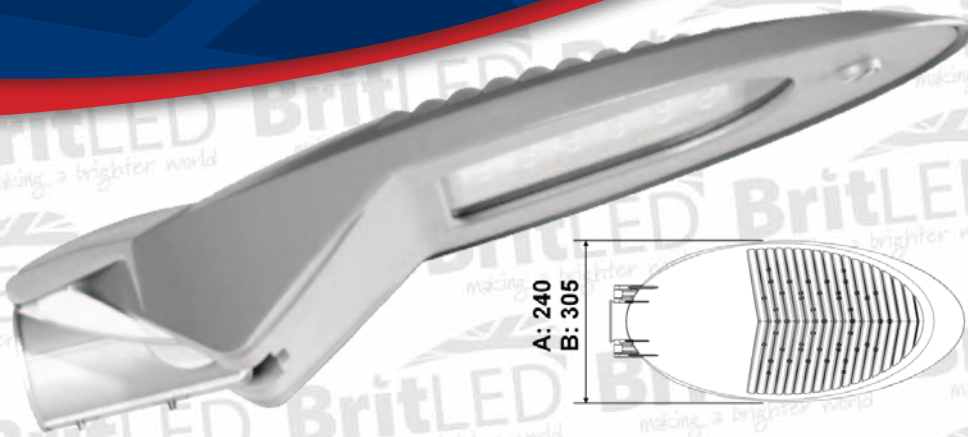


# Flip LED Street Light



## Features

- Ideal Replacement MH&HPS Street Lamp
- Simple Smart Design
- Excellent [FLIP] Structure Technology
- Very Easy Installation and Maintenance
- High Lumen Efficiency, Up to 85Lm/w Output
- Color Rendering Index >70
- Long Lifespan >50,000hours

## MATERIALS / FINISH

- OSRAM CQAR LED-Source
- Branding [MEANWELL] Constant Current Driver
- Transparent 4mm Glass Diffuser
- Die-casted Aluminum Housing (Matt Grey)

## INSTALLATION

- Pole Mounted: A: ø48mm, B: ø48/60mm
- Horizontal Installation [ $\pm 5^\circ$  Adjustable]
- Vertical Installation [ $+10^\circ$  Adjustable]
- Suitable for Road Light, like Park, Square, Garden...

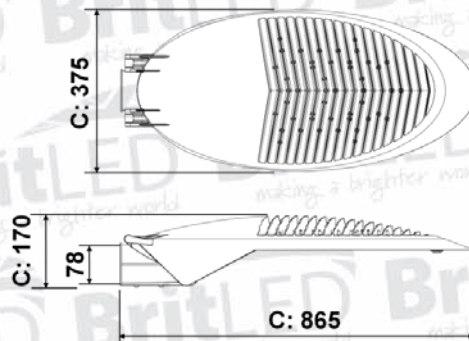
## STANDARDS

- Designed and Manufactured to Comply with CE/ROHS/GS/cUL Standard
- IP65 Protection
- Class I Electrical

Model	Main Function	Input (V)	Power (W)	LED Type	CCT (K)	Lumen (LM)	Dimmable	Power Factor	Beam Angle
BLE1112A1M120W1WW	ON/OFF	AC100-240V 50/60Hz	23W	9x3W OSRAM	3000K	1450	OPTIONAL	>0.9	V75° H150°
BLE1112A1M120W1NW					4200K	1770			
BLE1112A1M120W1CW					6000K	1930			
BLE1112A2M130W1WW	ON/OFF	AC100-240V 50/60Hz	34W	12x3W OSRAM	3000K	1920	OPTIONAL	>0.9	V75° H150°
BLE1112A2M130W1NW					4200K	2340			
BLE1112A2M130W1CW					6000K	2540			
BLE1112A3M140W1WW	ON/OFF	AC100-240V 50/60Hz	44W	18x3W OSRAM	3000K	2760	OPTIONAL	>0.9	V75° H150°
BLE1112A3M140W1NW					4200K	3370			
BLE1112A3M140W1CW					6000K	3660			
BLE1112A4M160W1WW	ON/OFF	AC100-240V 50/60Hz	66W	18x3W OSRAM	3000K	4080	OPTIONAL	>0.9	V75° H150°
BLE1112A4M160W1NW					4200K	5050			
BLE1112A4M160W1CW					6000K	5450			
BLE1112B2M180W1WW	ON/OFF	AC100-240V 50/60Hz	86W	54x3W OSRAM	3000K	5610	OPTIONAL	>0.9	V75° H150°
BLE1112B2M180W1NW					4200K	6850			
BLE1112B2M180W1CW					6000K	7440			
BLE1112B2M1100W1WW	ON/OFF	AC100-240V 50/60Hz	103W	54x3W OSRAM	3000K	6100	OPTIONAL	>0.9	V75° H150°
BLE1112B2M1100W1NW					4200K	7900			
BLE1112B2M1100W1CW					6000K	8550			

All parameters are measured at 25°C ambient temperature, 35% humidity experimental environment  
Tolerances of power and luminous flux are  $\pm 10\%$ , tolerance of color rendering index is  $\pm 5$ .

# Flip LED Street Light



## Features

- Ideal Replacement MH&HPS Street Lamp
- Simple Smart Design
- Excellent [FLIP] Structure Technology
- Very Easy Installation and Maintenance
- High Lumen Efficiency, Up to 85Lm/w Output
- Color Rendering Index >70
- Long Lifespan >50,000hours

## MATERIALS / FINISH

- OSRAM CQAR LED-Source
- Branding [MEANWELL] Constant Current Driver
- Transparent 4mm Glass Diffuser
- Die-casted Aluminum Housing (Matt Grey)

## INSTALLATION

- Pole Mounted: ø60/75mm
- Horizontal Installation [ $\pm 5^\circ$  Adjustable]
- Vertical Installation [+10° Adjustable]
- Suitable for Road Light, like Park, Square, Garden...

## STANDARDS

- Designed and Manufactured to Comply with CE/ROHS/GS/cUL Standard
- IP65 Protection
- Class I Electrical

Model	Main Function	Input (V)	Power (W)	LED Type	CCT (K)	Lumen (LM)	Dimmable	Power Factor	Beam Angle
BLE1112C1M1120W1WW	ON/OFF	AC100-240V 50/60Hz	128W	80x0.3W OSRAM	3000K	7680	OPTIONAL	>0.9	V75° H150°
BLE1112C1M1120W1NW					4200K	9728			
BLE1112C1M1120W1CW					6000K	10620			
BLE1112C2M1150W1WW	ON/OFF	AC100-240V 50/60Hz	162W	96x3W OSRAM	3000K	10530	OPTIONAL	>0.9	V75° H150°
BLE1112C2M1150W1NW					4200K	12960			
BLE1112C2M1150W1CW					6000K	14080			
BLE1112C3M1180W1WW	ON/OFF	AC100-240V 50/60Hz	196W	112x3W OSRAM	3000K	11700	OPTIONAL	>0.9	V75° H150°
BLE1112C3M1180W1NW					4200K	15010			
BLE1112C3M1180W1CW					6000K	16956			

All parameters are measured at 25°C ambient temperature, 35% humidity experimental environment  
Tolerances of power and luminous flux are  $\pm 10\%$ , tolerance of color rendering index is  $\pm 5$ .